

ACC™ ES Analytics Appliance

Avigilon Control Center™ (ACC) is designed to be the industry’s easiest-to-use video management software, and has helped revolutionize how security professionals manage and interact with high definition video. As a distributed network platform with enterprise-class reliability, Avigilon Control Center is able to efficiently capture, manage and store high definition surveillance video while intelligently managing bandwidth and storage.

The ACC Edge Solution (ES) Analytics Appliance provides a cost-effective way to add analytic capability to new or existing video surveillance cameras, enabling you to intelligently record locally, monitor centrally and manage remotely.



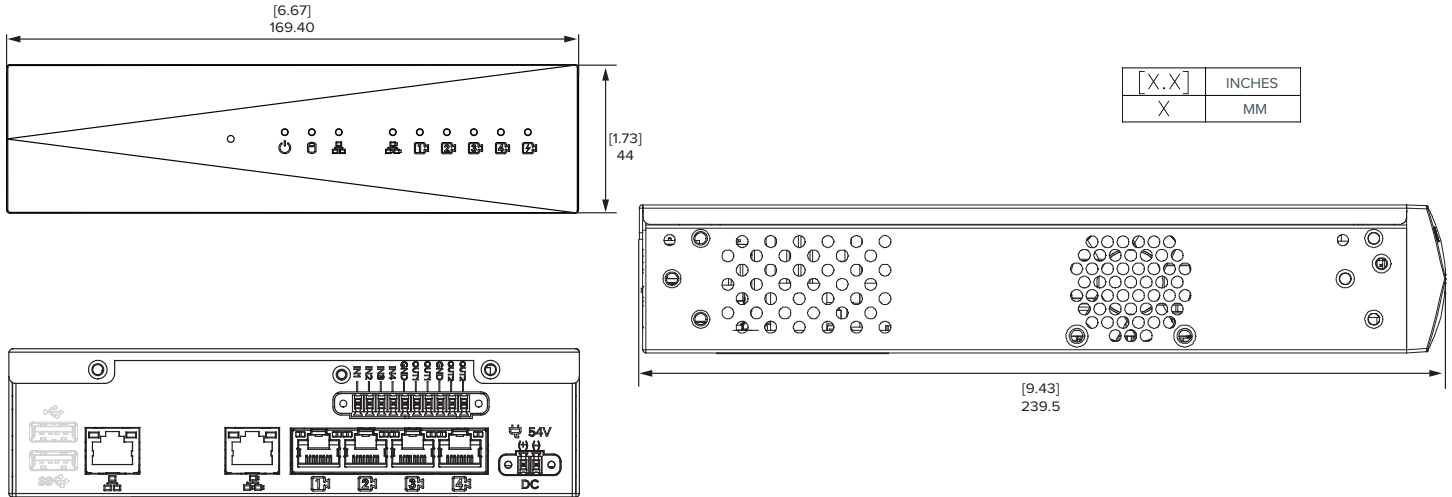
The Avigilon Control Center (ACC) Edge Solution (ES) Analytics Appliance is a flexible, all-in-one device that brings server-level performance to the network edge. It adds self-learning video analytics, embedded storage and remote management to any IP video surveillance camera.

By offering intelligent monitoring deployed at the network edge, the ability to store high amounts of HD video data remotely, and the ability to view live or recorded video from long distances upon demand, the ACC ES Analytics Appliance is ideal for centralized monitoring of critical infrastructure locations such as upstream oil and gas pipelines, power substations, telecommunications towers and important city areas.

KEY FEATURES

- Extend self-learning video analytics to any IP video surveillance camera
- Pattern-based object classification and tracking technology
- Continuously self-learning analytics with no manual calibration required
- Provides up to 130 Mbps of total throughput and can process a maximum self-learning video analytics resolution of up to 4K (8 MP)
- Remote alerts provide instant notifications to any mobile device
- Enables video retention at the edge with 2TB and 4TB storage models
- Configured with Avigilon Control Center (ACC) High Definition Network Video Management software
- Uses Avigilon’s industry leading High Definition Stream Management (HDSM)™ technology
- Installation of the system is easy with an optional rack-mounted tray with sliding rail system

Outline Dimensions



Specifications

SYSTEM	Recording Rate	80 Mbps
	Stream Out Rate	50 Mbps
	Camera Channels	4 x direct camera connection channels, or up to 4 x Avigilon H.264 Analog Video Encoders
	Recording Image Rate	Up to 30 images per second per channel
	PoE Ports	4 x 10/100 (IEEE 802.3at) — supports PoE+ on a per port basis
	Total PoE Output	60 W
	Uplink	2 x 10/100/1000 Mbps RJ-45
	External I/O Terminals	4 Digital Inputs and 2 Relay Outputs

MECHANICAL	Dimensions (LxWxH)	239.5 mm x 169.4 mm x 44 mm; 9.43" x 6.67" x 1.73"
	Weight	3.39 kg (including power supply, mounting bracket and all packaging)

ELECTRICAL	Power Input	48-54 V, 1.88-1.67 A
	Power Supply	Single non-redundant
	Power Consumption	20 W min.; 90 W max.

ENVIRONMENTAL	Operating Temperature	0°C to 50°C (32°F to 122°F)
	Storage Temperature	-40° C to 70° C (-40° F to 158° F)
	Humidity	10 - 90% Relative humidity (non-condensing)

CERTIFICATIONS	Certifications/Directives	UL, cUL, CE, RoHS, WEEE, RCM, EAC, NOM, KC
	Safety	UL 60950-1, CSA 60950-1, IEC/EN 60950-1
	Electromagnetic Emissions	FCC Part 15 Subpart B Class B, IC ICES-003 Class B, EN 55011, EN 55022 Class B, EN 61000-6-3, EN 61000-3-2, EN 61000-3-3
	Electromagnetic Immunity	EN 55024, EN 61000-6-1

RESOLUTION	TOTAL ANALYTICS LOAD*
352 x 240	16 streams
720 x 480 (D1)	11
2 MP	4 (at 30 ips max)
3 MP	4 (at 20 ips max)
5 MP	2
8 MP	1

* Beyond 4 channels is only possible when using Avigilon H.264 Analog Encoders or Avigilon HD Multisensor cameras.

ANALYTICS SUPPORT FOR NUMBER OF VIDEO STREAMS

DEVICE TYPES SUPPORTED FOR ANALYTICS

Avigilon HD H.264 cameras
Avigilon H.264 Analog Encoders (up to 4)
Avigilon HD Multisensor dome cameras (analytics on up to 4 heads)
PTZ cameras (analytics at Home position only)
ONVIF® cameras
ONVIF encoders

Supported Video Analytics Features


Objects in Area	The event is triggered when the selected number of objects are present in the region of interest. The object can appear from within the region of interest or enter from outside.
Object Loitering	The event is triggered for each object that stays within the region of interest for an extended amount of time.
Objects Crossing Beam	The event is triggered when the specified number of objects have crossed the directional beam that is configured over the camera's field of view in the selected time period. The beam can be unidirectional or bidirectional.
Object Appears or Enters Area	The event is triggered by each object present in the region of interest. The object can appear from within the region of interest or enter from outside.
Object Not Present in Area	The event is triggered when no objects are present in the region of interest.
Objects Enter Area	The event is triggered when the specified number of objects have entered the region of interest from outside of the region.
Objects Leave Area	The event is triggered when the specified number of objects have left the region of interest.
Object Stops in Area	The event is triggered for each object in a region of interest that stops moving for the specified threshold time.
Direction Violated	The event is triggered for each object that moves in the prohibited direction of travel.
Tamper Detection	The event is triggered when the scene unexpectedly changes.
Idle Scene Mode	Analytic capable cameras will stream at a different image rate and reduced quality while no events are detected in the scene.

Supported ACC Features

System	<ul style="list-style-type: none"> 4 cameras / device Site support for up to 24 servers, 500 cameras and 100 defined users 	<ul style="list-style-type: none"> 5 client connections / device Automatic device discovery
Device Support (Recording Only)	<ul style="list-style-type: none"> Avigilon HD H.264 cameras & encoders (up to 4) Avigilon HD H.264 Pro cameras (up to 2) 	<ul style="list-style-type: none"> Avigilon HD Multisensor dome cameras (up to 2) ONVIF cameras & encoders
Client	<ul style="list-style-type: none"> Saved Views Maps Web pages 	<ul style="list-style-type: none"> Editable Site View Intelligent Virtual Matrix Collaborative investigations
Recording, Searching and Playback	<ul style="list-style-type: none"> Hourly configurable recording schedule Lossless recording Intelligent motion search Live export 	<ul style="list-style-type: none"> Thumbnail search Event search Alarm search Multi-camera export
Integrations	All 3rd party integrations via the ACC SDK	<ul style="list-style-type: none"> CommScope iPatch RS2 AccessIt! DDS Amadeus 5 DSX
Additional Features	<ul style="list-style-type: none"> Email event notification Digital input email trigger Manual digital output trigger Audio recording and talkdown 	<ul style="list-style-type: none"> Unlimited rule triggers Redundant recording Failover connections Alarm escalation

Ordering Information

VMA-RPA-4P2	2.0 TB storage, 4 Port ACC ES Analytics Appliance
VMA-RPA-4P4	4.0 TB storage, 4 Port ACC ES Analytics Appliance
ENC-4P-H264	4-Port H.264 Video Encoder with 4 Audio Inputs and 4 Audio Outputs
VMA-RPX-4PRMSIU	ES Rack Mount

VMA-RPA-4Px-NA = 

VMA-RPA-4Px-UK = 

VMA-RPA-4Px-EU = 

VMA-RPA-4Px-AU = 